



20
24

V

Victoria

collection

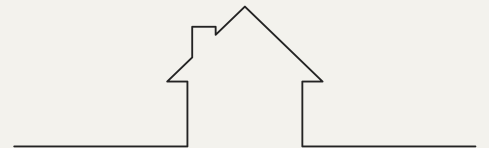


House Collection

Victoria 900 Single

Victoria 1500 Double

Chelsea 460



House Collection



Victoria 900 Single



Victoria 1500 Double



Chelsea 460

Cabinet Finish

Choose your finish | Custom Paint also available upon request



Natural Veneer



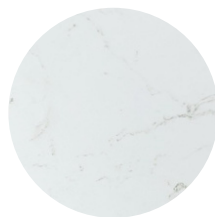
Walnut

Bench Top

Subject to availability and chosen design



Snow-Blanc
Crystalline Silica-Free
(Engineered Stone)



Ayla
Crystalline Silica-Free
(Engineered Stone)

Basin

Client to Nominate



Tommy White or Black
(Standard)

V

Victoria collection

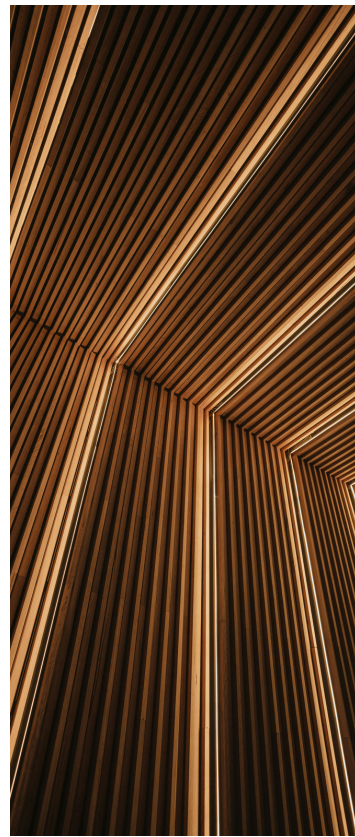
– Welcome to the epitome of refined luxury – The Victoria Vanity, a true testament to the harmonious blend of tradition and modernity. Imbued with inspiration drawn from the magnificent residence recently transformed by our sister company, Kerdic, on the prestigious Victoria Avenue in Chelmer, QLD.

Victoria 900 | Single Basin

900 Length x 460 Depth

Victoria 1500 | Double Basin

1500 Length x 460 Depth

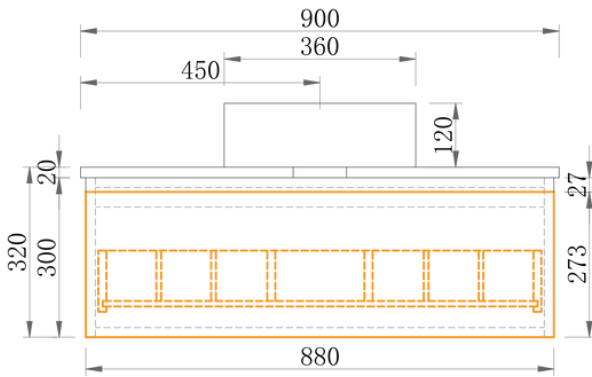
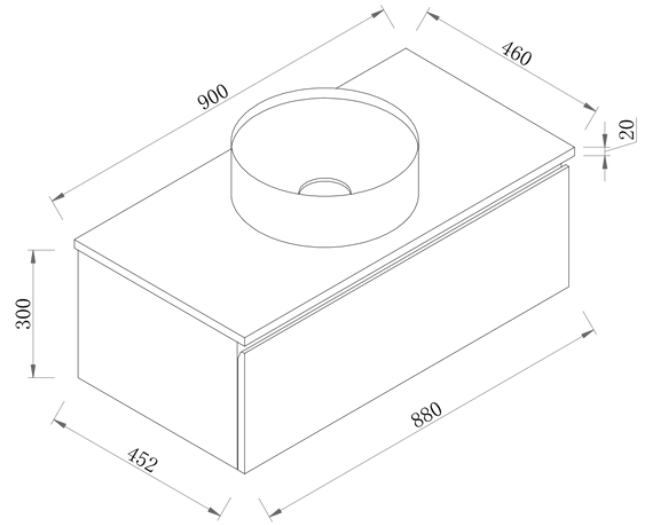




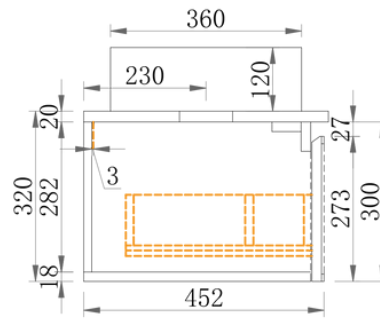
Victoria

Victoria 900 Single - 2024

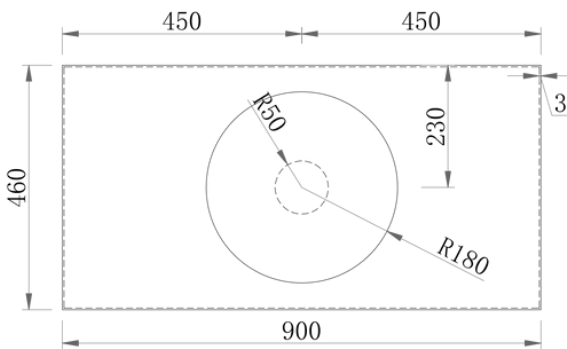
Cabinet Size: 880mm (L) X 450mm (D) X 300mm (H)
 Top Size: 900mm (L) X 460mm (D) X 20mm (H)
 Type: Wall Hung
 Basin: Client to nominate
 No Tap Holes, Tapware to be wall-mounted



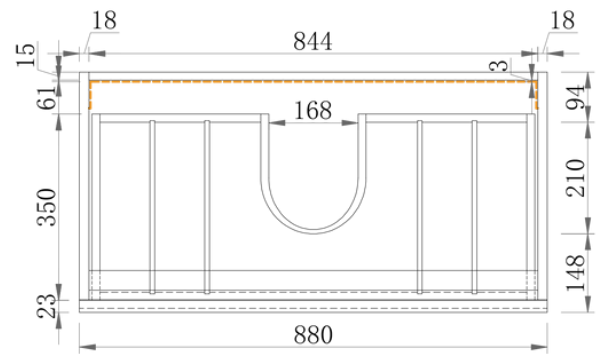
Front Elevation



Section Side



Top View



Section Top - Drawer Inserts

Notes:

- Wastes and faucets are not included.
- Vanity unit must be installed by a qualified tradesmen - Failure to do so will void the warranty.
- Plumbing fixtures must be installed by a qualified plumber - Failure to do so will void the warranty.
- Warranty information: 5 years on cabinet & 12 months on top and basin(s).
- Caution boxes may be heavy and will require 2 people to lift.



vanitybydesign.com.au



[vanitybydesign_](https://www.instagram.com/vanitybydesign_)



TEL: 07 [3376 6055](tel:33766055)



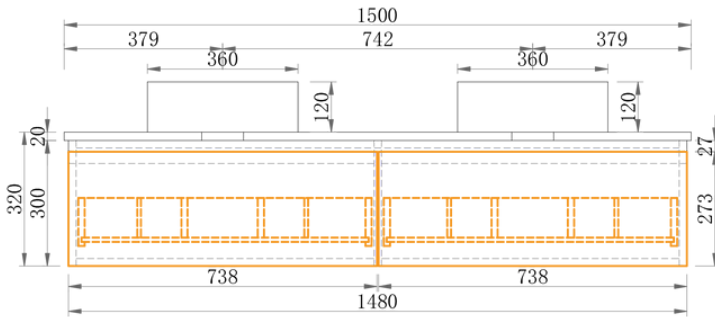
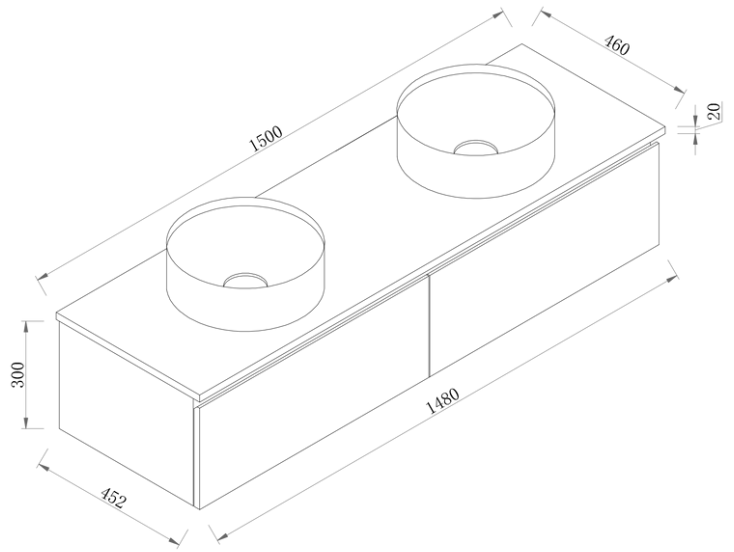
241 Monier Road
Darra, QLD, 4076



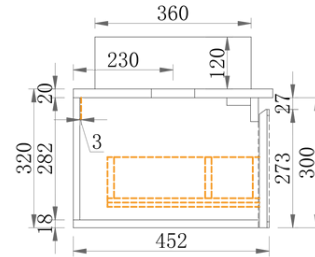
Victoria

Victoria 1500 Double - 2024

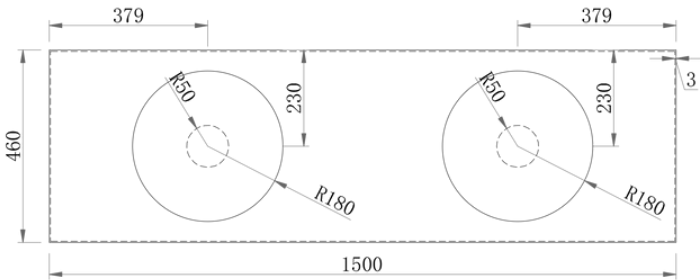
Cabinet Size: 1480mm (L) X 450mm (D) X 300mm (H)
 Top Size: 1500mm (L) X 460mm (D) X 20mm (H)
 Type: Wall Hung
 Basin: Client to nominate
 No Tap Holes, Tapware to be wall-mounted



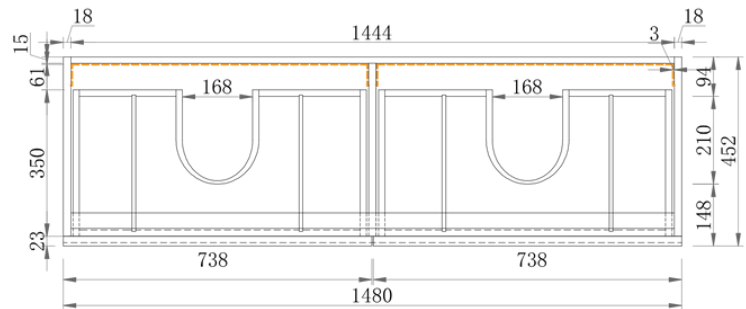
Front Elevation



Section Side



Top View



Section Top - Drawer Inserts

Notes:

- Wastes and faucets are not included.
- Vanity unit must be installed by a qualified tradesmen - Failure to do so will void the warranty.
- Plumbing fixtures must be installed by a qualified plumber - Failure to do so will void the warranty.
- Warranty information: 5 years on cabinet & 12 months on top and basin(s).
- Caution boxes may be heavy and will require 2 people to lift.



vanitybydesign.com.au



vanitybydesign_



TEL: 07 3376 6055



241 Monier Road
Darra, QLD, 4076



Chelsea

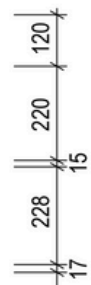
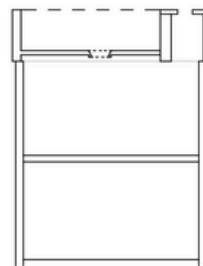
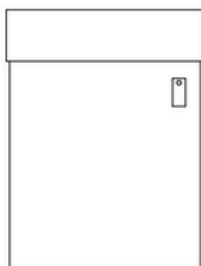
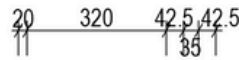
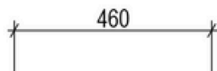
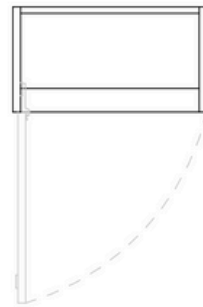
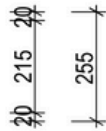
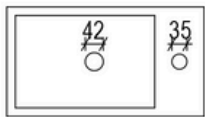
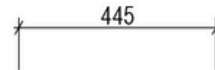
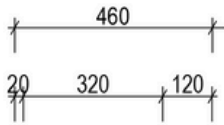
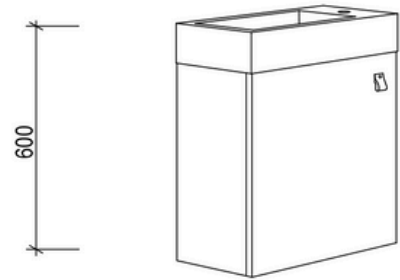
Chelsea 460

Overall Size: 460mm (L) X 255mm (D) X 600mm (H)

Type: Wall-Hung

*Only Suitable for Mixer Tap

Finish - Natural, Japan Black & Custom paint finish



Notes:

- Wastes and faucets are not included.
- Vanity unit must be installed by a qualified tradesmen - Failure to do so will void the warranty.
- Plumbing fixtures must be installed by a qualified plumber - Failure to do so will void the warranty.
- Warranty information: 5 years on cabinet & 12 months on top and basin(s).
- Caution boxes may be heavy and will require 2 people to lift.



vanitybydesign.com.au



[vanitybydesign_](https://www.instagram.com/vanitybydesign_)



TEL: 07 [3376 6055](tel:33766055)



241 Monier Road
Darra, QLD, 4076

V

Customer Photos



@life.instill



vanitybydesign.com.au



[vanitybydesign_](https://www.instagram.com/vanitybydesign_)



TEL: 07 3376 6055



241 Monier Road
Darra, QLD, 4076