



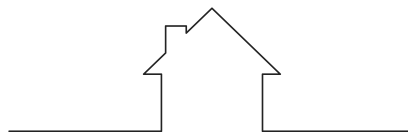
Vanity
BY DESIGN

Clara

Slimline

collection

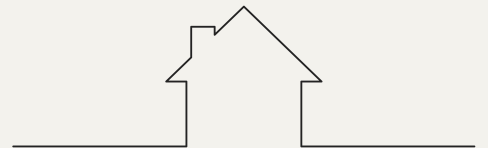
20
24



Collection

Clara 900 Slimline - Coming Soon!

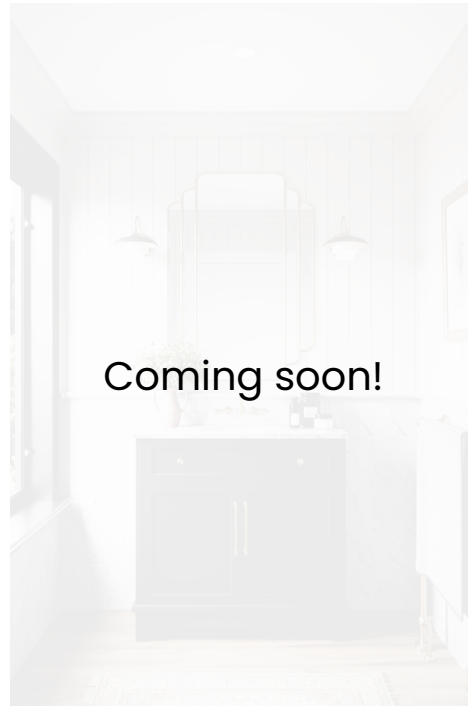
Clara 1500 Slimlime - Coming Soon!



House Collection



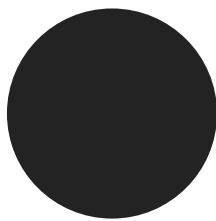
Clara 900 Slimline
(360 Depth)



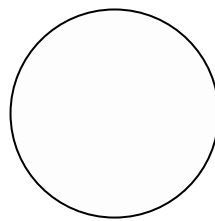
Clara 1500 Slimline
(360 Depth)

Cabinet Finish

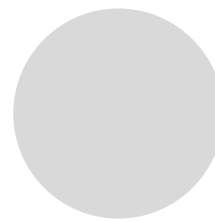
Choose your paint finish | Custom Paint also available upon request



VBD Black



VBD White



VBD South Hampton Grey

Bench Top

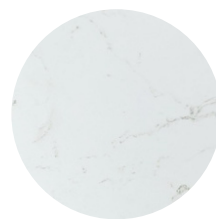
Subject to availability and chosen design



Italian Carrara
Natural Marble



Snow-Blanc
Crystalline Silica-Free
(Engineered Stone)



Ayla
Crystalline Silica-Free
(Engineered Stone)

Handles

Choose a finish



Brushed Gold



Chrome



Clara

Slimline
collection

– a tribute to 1940's glamour and timeless femininity. The Clara, inspired by our best-selling *Chantel collection*, allows customers the opportunity to 'get the look' in their small bathrooms with a design that is both functional & stunning!

Clara 900 – Slimline | Single Basin
900 Length x 360 Depth x 880 Height

Clara 1500 – Slimline | Double Basin
1500 Length x 360 Depth x 880 Height



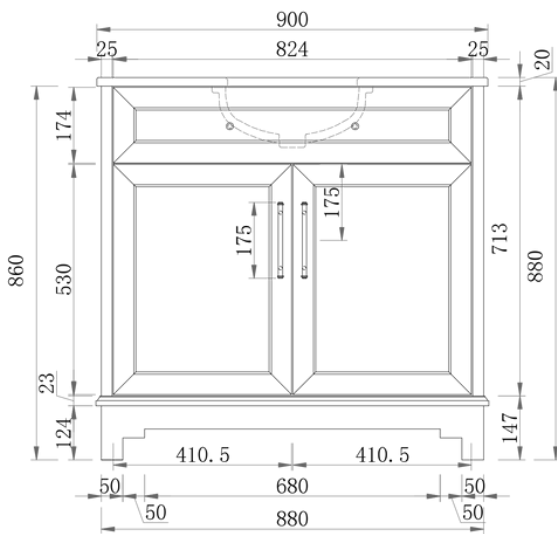
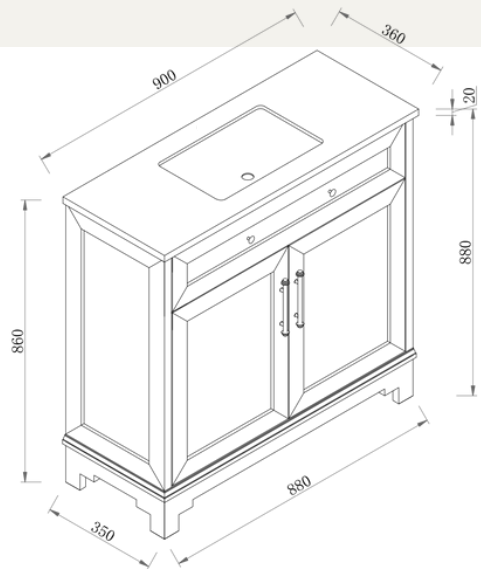
Clara



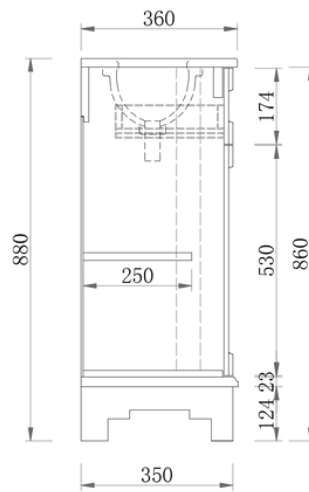
Clara 900 Slimline - Single

Cabinet Size: 880mm (L) X 350mm (D) X 860mm (H)
 Top Size: 900mm (L) X 360mm (D) X 20mm (H)
 Type: Freestanding
 Basin: Under-mount Ceramic Basin

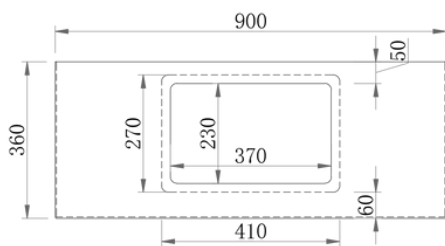
*NO Taphole, Designed to suit wall tapware only



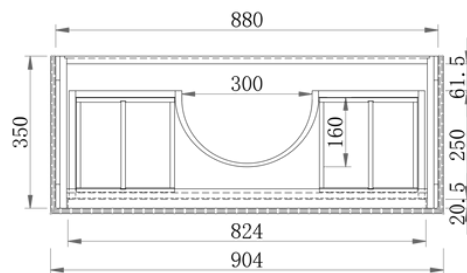
Front Elevation



Section Side



Top View



Section Top - Drawer Inserts

Notes:

- Wastes and faucets are not included.
- Vanity unit must be installed by a qualified tradesmen - Failure to do so will void the warranty.
- Plumbing fixtures must be installed by a qualified plumber - Failure to do so will void the warranty.
- Warranty information: 5 years on cabinet & 12 months on top and basin(s).
- Caution boxes may be heavy and will require 2 people to lift.



vanitybydesign.com.au



vanitybydesign_



TEL: 07 3376 6055



241 Monier Road
 Darra, QLD, 4076

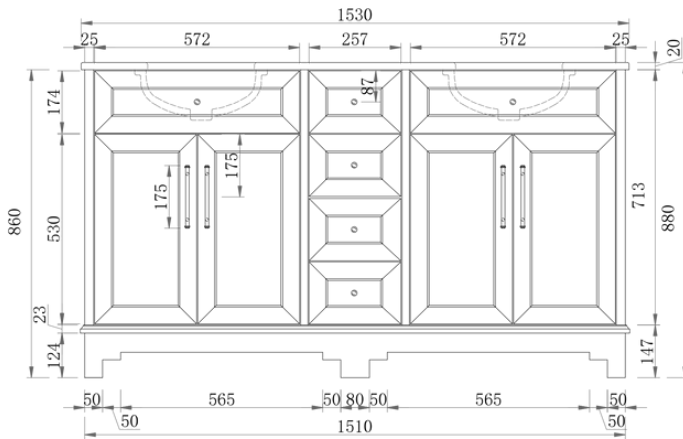
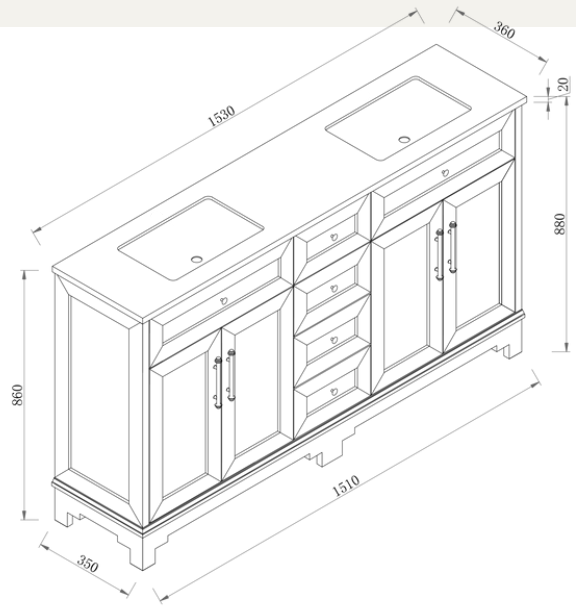
Clara



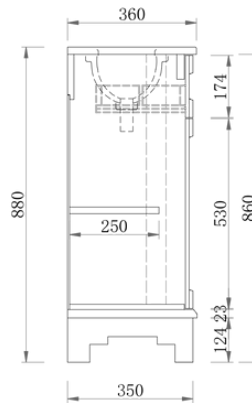
Clara 1500 Slimline - Double

Cabinet Size: 1480mm (L) X 350mm (D) X 860mm (H)
 Top Size: 1500mm (L) X 360mm (D) X 20mm (H)
 Type: Freestanding
 Basin: Under-mount Ceramic Basins

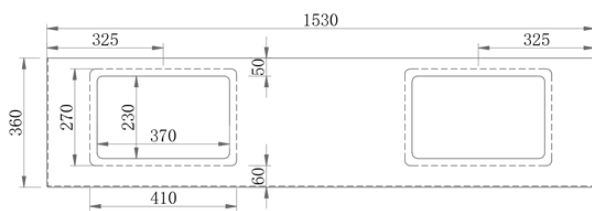
*NO Taphole, Designed to suit wall tapware only



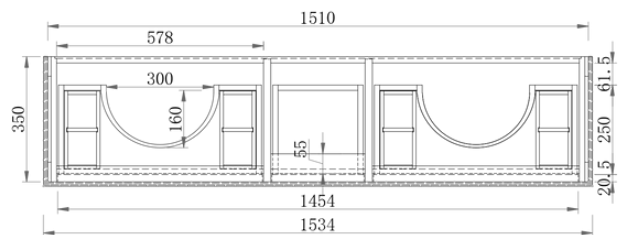
Front Elevation



Section Side



Top View



Section Top - Drawer Inserts

Notes:

- Wastes and faucets are not included.
- Vanity unit must be installed by a qualified tradesmen - Failure to do so will void the warranty.
- Plumbing fixtures must be installed by a qualified plumber - Failure to do so will void the warranty.
- Warranty information: 5 years on cabinet & 12 months on top and basin(s).
- Caution boxes may be heavy and will require 2 people to lift.



vanitybydesign.com.au



vanitybydesign_



TEL: 07 3376 6055



241 Monier Road
 Darra, QLD, 4076

Vanity
BY DESIGN



vanitybydesign.com.au



[vanitybydesign_](https://www.instagram.com/vanitybydesign_)



TEL: 07 3376 6055



241 Monier Road
Darra, QLD, 4076