

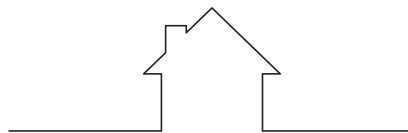


Vanity
BY DESIGN

Chantel

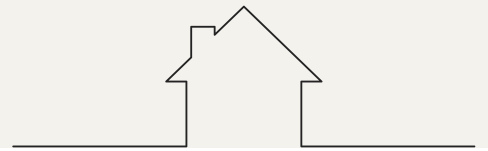
collection

20
24



House Collection

Chantel 1200 Single
Chantel 1500 Double
Rubie 460



House Collection



Chantel 1200 Single
(563 Depth)



Chantel 1500 Double
(563 Depth)

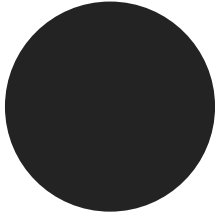


Rubie 460
(255 Depth)

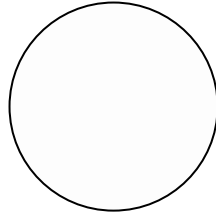


Cabinet Finish

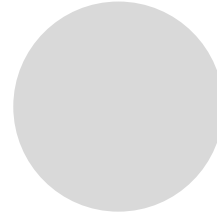
Choose your paint finish | Custom Paint also available upon request



VBD Black



VBD White



VBD South Hampton Grey

Bench Top

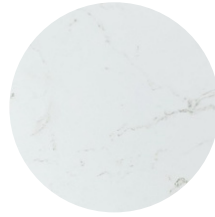
Subject to availability and chosen design



Italian Carrara
Natural Marble



Snow-Blanc
Crystalline Silica-Free
(Engineered Stone)



Ayla
Crystalline Silica-Free
(Engineered Stone)

Handles

Choose a finish



Brushed Gold



Chrome



V

Chantel collection

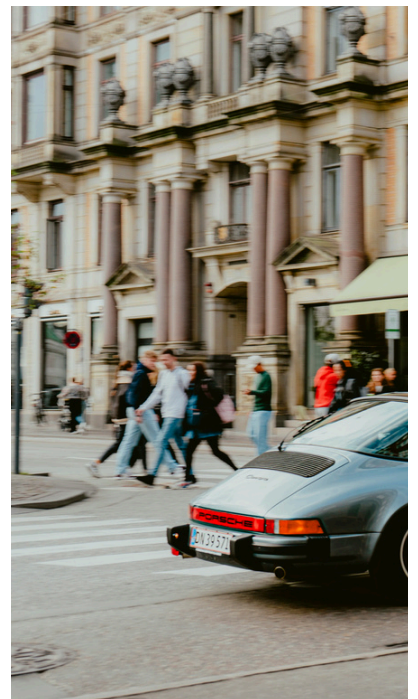
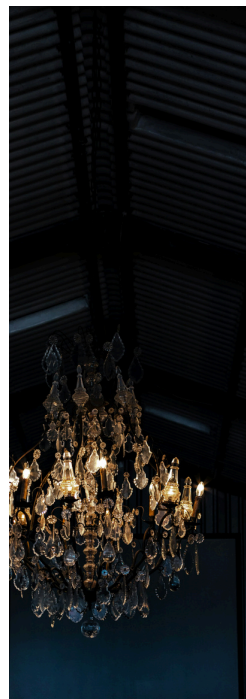
– a tribute to 1940's glamour and timeless femininity. With a nod to Old Hollywood, each piece showcases craftsmanship and true elegance. This collection embodies a perfect blend of glamour, eclecticism, and a touch of Old Hollywood charm. Elevate your space with Chantel – where style meets nostalgia in an enchanting dance of sophistication.

Chantel 1200 | Single Basin

1200 Length x 563 Depth x 880 Height

Chantel 1500 | Double Basin

1530 Length x 563 Depth x 880 Height



Chantel

Chantel 1200 Single - 2024

Cabinet Size: 1180mm (L) X 550mm (D) X 860mm (H)

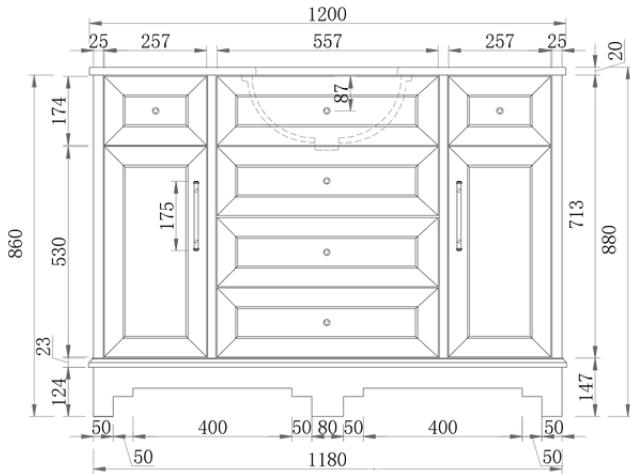
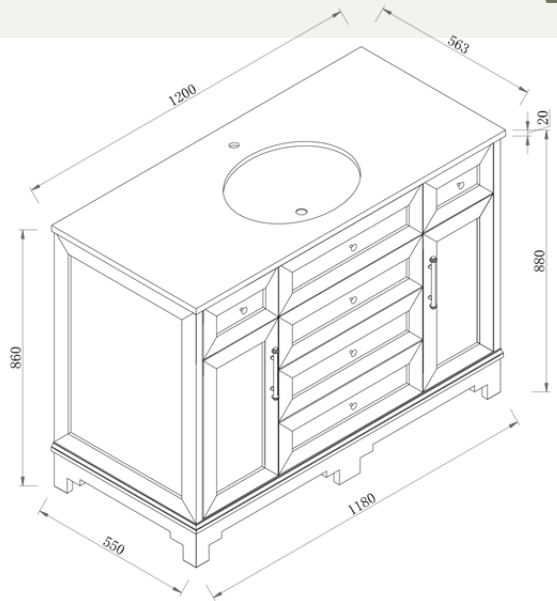
Top Size: 1200mm (L) X 563mm (D) X 20mm (H)

Type: Freestanding

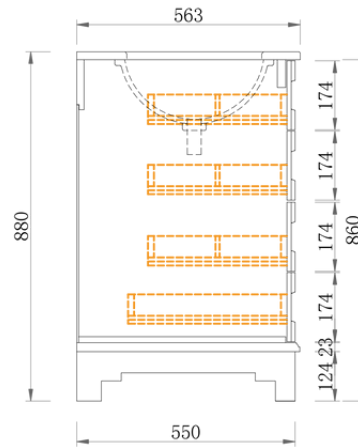
Basin: Oval Under-mount Ceramic Basin

Splash-back: Optional

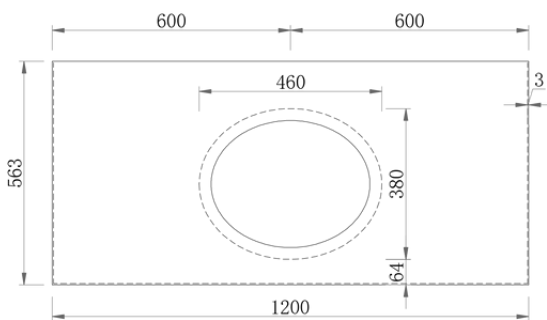
Tap Hole: Client to nominate



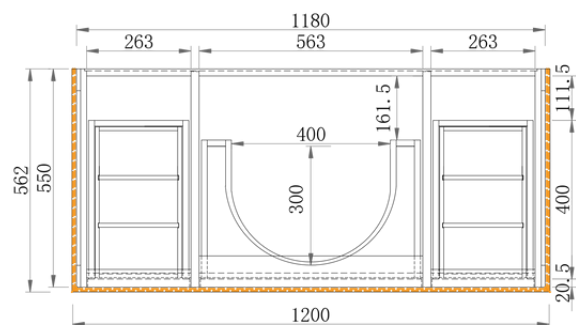
Front Elevation



Section Side



Top View



Section Top - Drawer Inserts

Notes:

- Wastes and faucets are not included.
- Vanity unit must be installed by a qualified tradesmen - Failure to do so will void the warranty.
- Plumbing fixtures must be installed by a qualified plumber - Failure to do so will void the warranty.
- Warranty information: 5 years on cabinet & 12 months on top and basin(s).
- Caution boxes may be heavy and will require 2 people to lift.

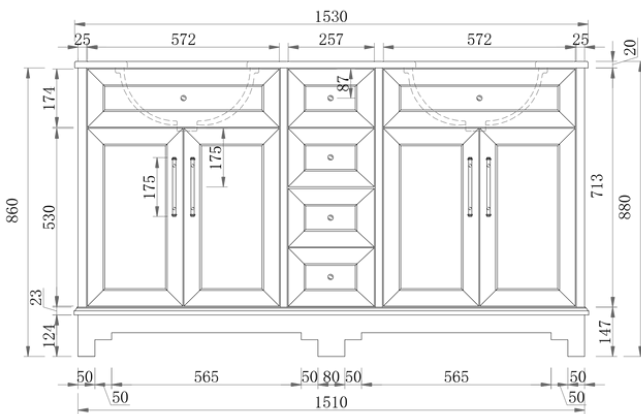
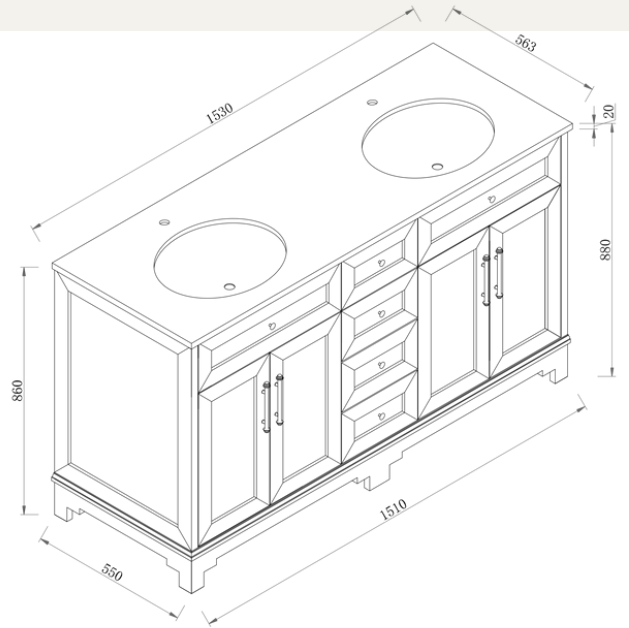


Chantel

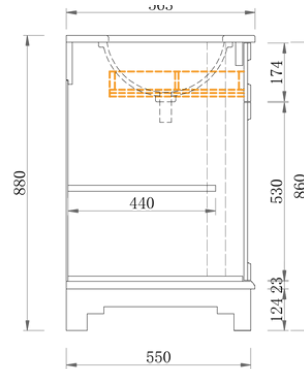
Chantel 1500 Double - 2024

Cabinet Size: 1510mm (L) X 550mm (D) X 860mm (H)
 Top Size: 1530mm (L) X 563mm (D) X 20mm (H)
 Type: Freestanding
 Basin: Oval Under-mount Ceramic Basins
 Splash-back: Optional

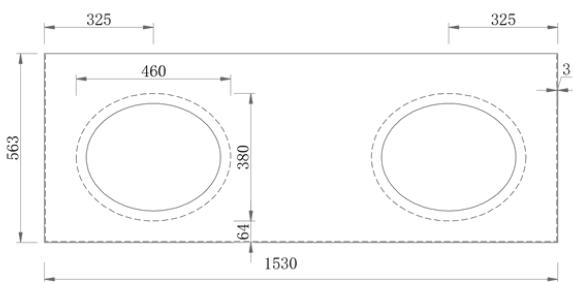
Tap Hole: Client to nominate



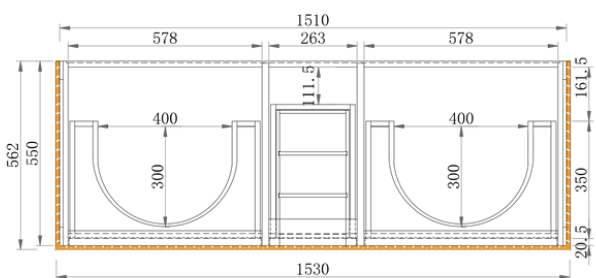
Front Elevation



Section Side



Top View



Section Top - Drawer Inserts

Notes:

- Wastes and faucets are not included.
- Vanity unit must be installed by a qualified tradesmen - Failure to do so will void the warranty.
- Plumbing fixtures must be installed by a qualified plumber - Failure to do so will void the warranty.
- Warranty information: 5 years on cabinet & 12 months on top and basin(s).
- Caution boxes may be heavy and will require 2 people to lift.





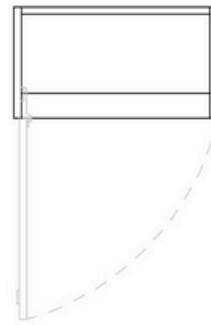
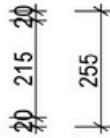
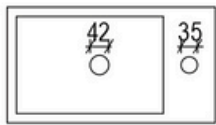
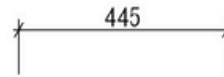
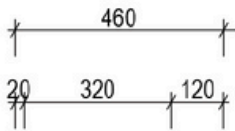
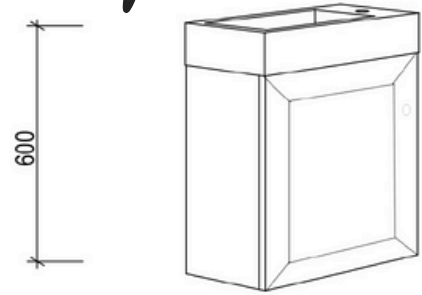
Rubie

Rubie 460

Overall Size: 460mm (L) X 255mm (D) X 600mm (H)

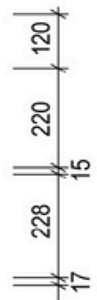
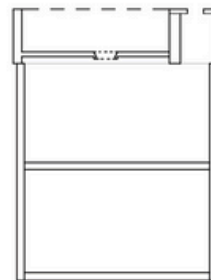
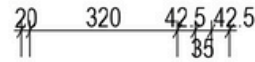
Type: Wall-Hung

*Only Suitable for Mixer Tap



Top View

Section - Top



Front Elevation

Section

Notes:

- Wastes and faucets are not included.
- Vanity unit must be installed by a qualified tradesmen - Failure to do so will void the warranty.
- Plumbing fixtures must be installed by a qualified plumber - Failure to do so will void the warranty.
- Warranty information: 5 years on cabinet & 12 months on top and basin(s).
- Caution boxes may be heavy and will require 2 people to lift.



vanitybydesign.com.au



[vanitybydesign_](https://www.instagram.com/vanitybydesign_)



TEL: 07 [3376 6055](tel:33766055)



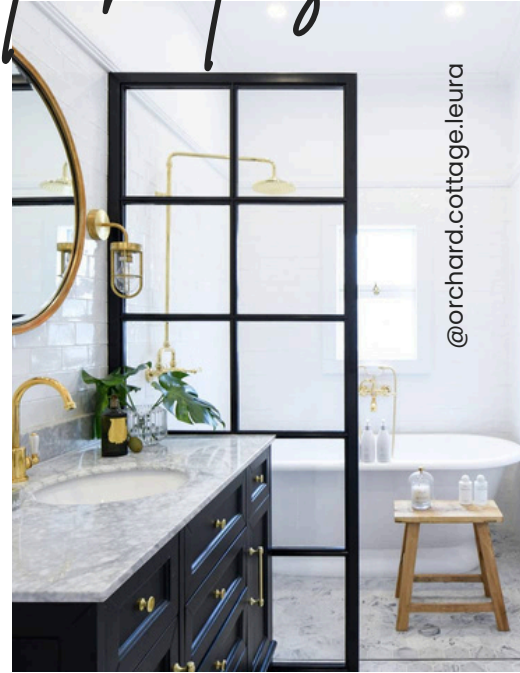
241 Monier Road
Darra, QLD, 4076

V

Customer Photos



@stevecordony



@orchard.cottage.leura



@eleanorpendleton



@homesbyhoven



@stevecordony



@stevecordony

Vanity

BY DESIGN



vanitybydesign.com.au



[vanitybydesign_](https://www.instagram.com/vanitybydesign_)



TEL: 07 3376 6055



241 Monier Road
Darra, QLD, 4076