

**Vanity**  
BY DESIGN

*Byron*  
collection

20  
24

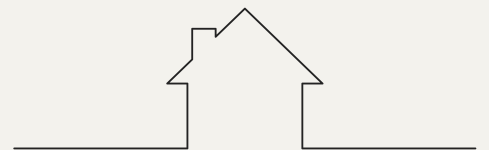


**House Collection**

Byron 900 Single

Byron 1500 Double

Rubie 460



## House Collection



Byron 900 Single



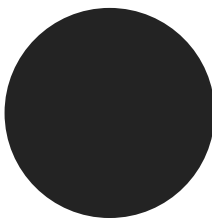
Byron 1500 Double



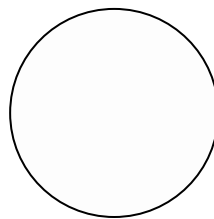
Rubie 460

## Cabinet Finish

Choose your paint finish | Custom Paint also available upon request



VBD Black



VBD White



VBD South Hampton Grey

## Bench Top

Subject to availability and chosen design

## Handles

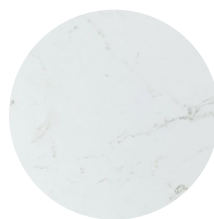
Choose a finish



**Italian Carrara**  
Natural Marble



**Snow-Blanc**  
Crystalline Silica-Free  
(Engineered Stone)



**Ayla**  
Crystalline Silica-Free  
(Engineered Stone)



Brushed Gold



Brushed Nickel



# Byron collection

– Elevate your bathroom sanctuary with the timeless sophistication of the Byron Wall Hung Vanity. A seamless fusion of traditional charm and modern functionality. Crafted for those with an eye for classic design and a penchant for contemporary aesthetics, the Byron is the epitome of versatility and elegance.

---

### **Byron 900 | Single Basin**

900 Length x 500 Depth

### **Byron 1500 | Double Basin**

1500 Length x 500 Depth

---



# Byron

## Byron 900 Single - 2024

Cabinet Size: 880mm (L) X 490mm (D) X 500mm (H)

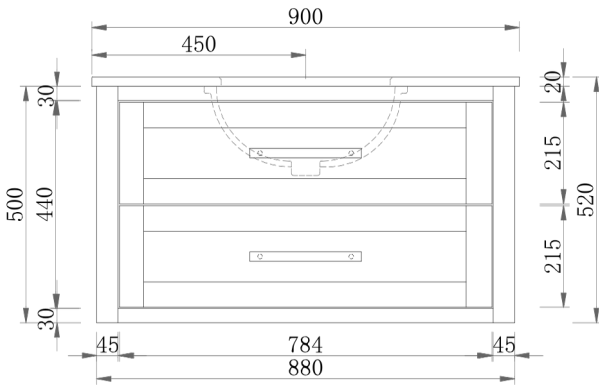
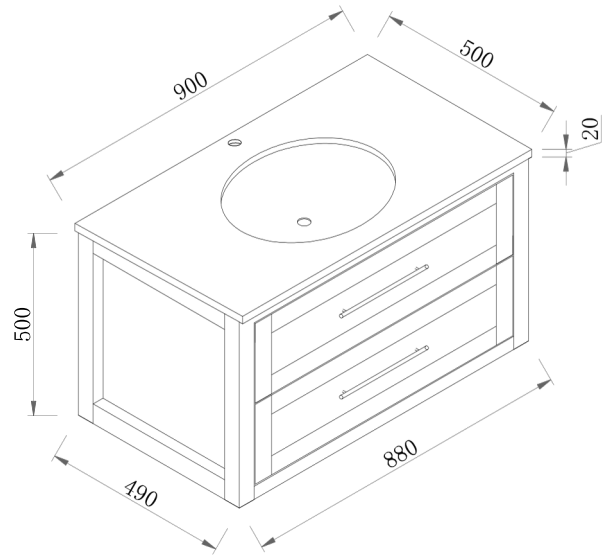
Top Size: 900mm (L) X 500mm (D) X 20mm (H)

Type: Wall-Hung

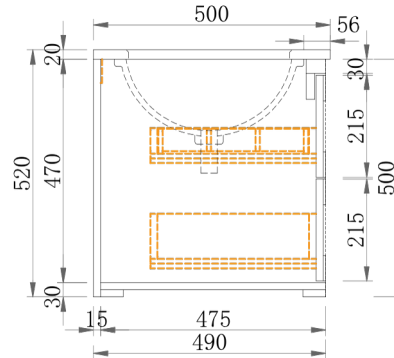
Basin: Oval Under-mount Ceramic Basin

Tap Hole: Client to nominate

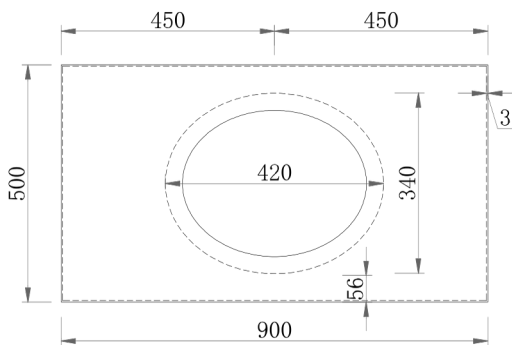
Handle: C2C 192mm (System 32)



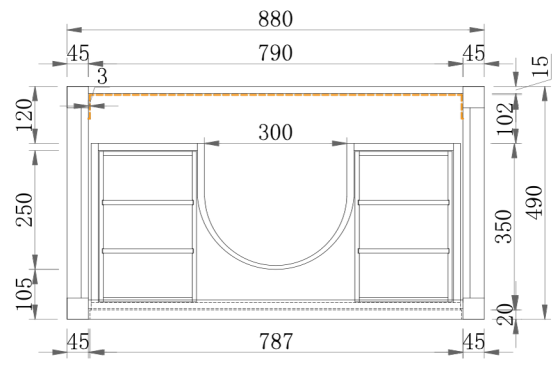
Front Elevation



Section Side



Top View



Section Top - Drawer Inserts

### Notes:

- Wastes and faucets are not included.
- Vanity unit must be installed by a qualified tradesmen - Failure to do so will void the warranty.
- Plumbing fixtures must be installed by a qualified plumber - Failure to do so will void the warranty.
- Warranty information: 5 years on cabinet & 12 months on top and basin(s).
- Caution boxes may be heavy and will require 2 people to lift.

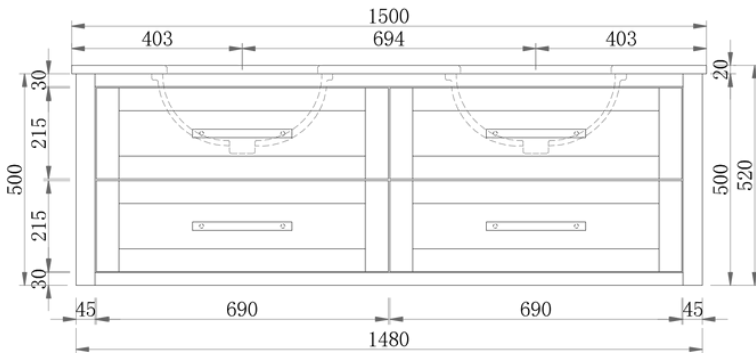
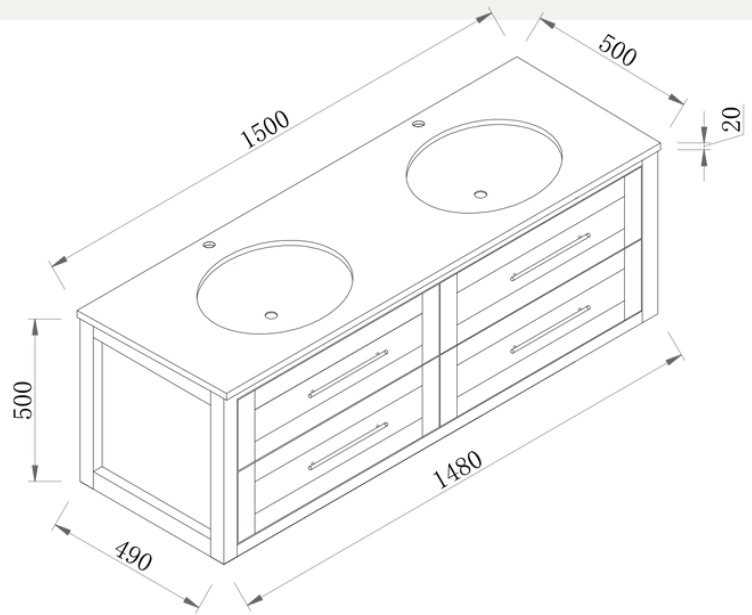


# Byron

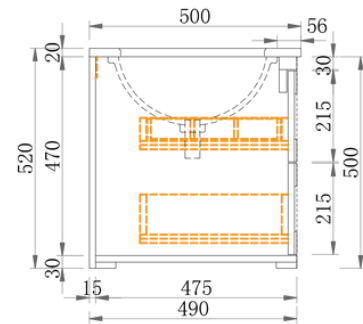


## Byron 1500 Double - 2024

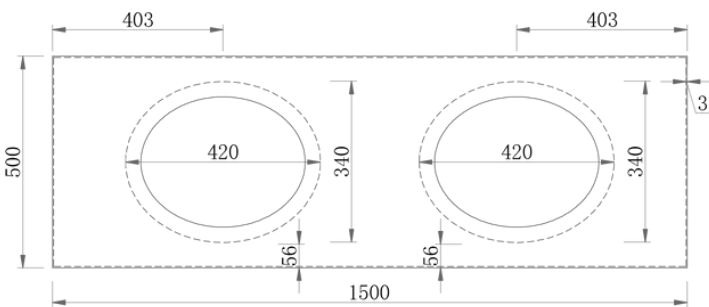
Cabinet Size: 1480mm (L) X 490mm (D) X 500mm (H)  
 Top Size: 1500mm (L) X 500mm (D) X 20mm (H)  
 Type: Wall-Hung  
 Basin: Oval Under-mount Ceramic Basin  
 Tap Hole: Client to nominate  
 Handle: C2C 192mm (System 32)



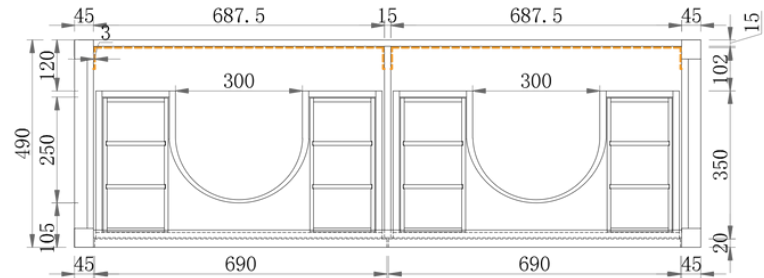
Front Elevation



Section Side



Top View



Section Top - Drawer Inserts

### Notes:

- Wastes and faucets are not included.
- Vanity unit must be installed by a qualified tradesmen - Failure to do so will void the warranty.
- Plumbing fixtures must be installed by a qualified plumber - Failure to do so will void the warranty.
- Warranty information: 5 years on cabinet & 12 months on top and basin(s).
- Caution boxes may be heavy and will require 2 people to lift.



vanitybydesign.com.au



vanitybydesign\_



TEL: 07 3376 6055



241 Monier Road  
 Darra, QLD, 4076



# Rubie

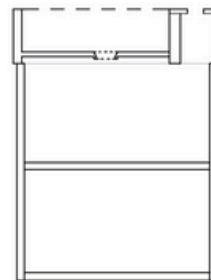
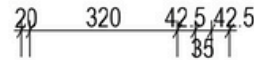
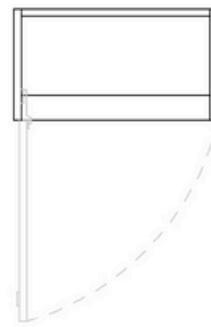
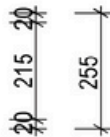
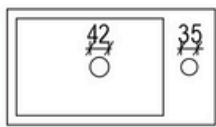
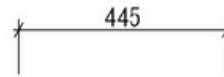
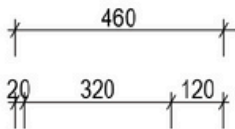
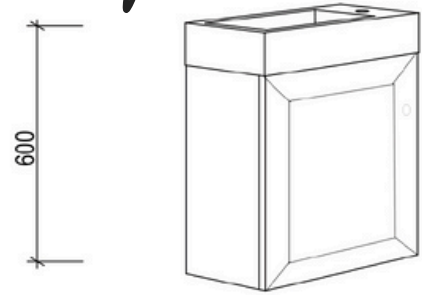
## Rubie 460

Overall Size: 460mm (L) X 255mm (D) X 600mm (H)

Type: Wall-Hung

Custom Paint Options

\*Only Suitable for Mixer Tap



### Notes:

- Wastes and faucets are not included.
- Vanity unit must be installed by a qualified tradesmen - Failure to do so will void the warranty.
- Plumbing fixtures must be installed by a qualified plumber - Failure to do so will void the warranty.
- Warranty information: 5 years on cabinet & 12 months on top and basin(s).
- Caution boxes may be heavy and will require 2 people to lift.



[vanitybydesign.com.au](http://vanitybydesign.com.au)



[vanitybydesign\\_](https://www.instagram.com/vanitybydesign_)



TEL: 07 3376 6055



241 Monier Road  
Darra, QLD, 4076

# Vanity

BY DESIGN



[vanitybydesign.com.au](http://vanitybydesign.com.au)



[vanitybydesign\\_](https://www.instagram.com/vanitybydesign_)



TEL: 07 3376 6055



241 Monier Road  
Darra, QLD, 4076