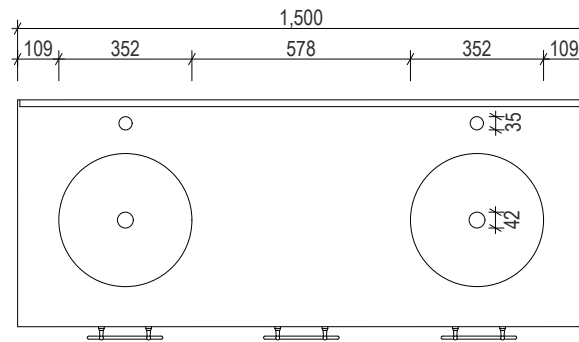
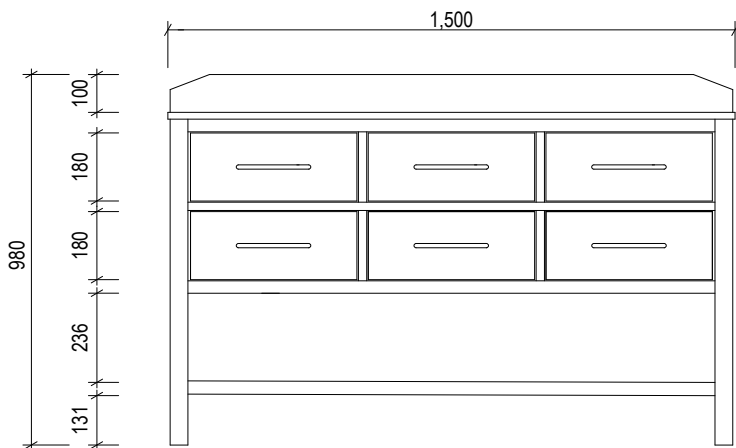


880
100



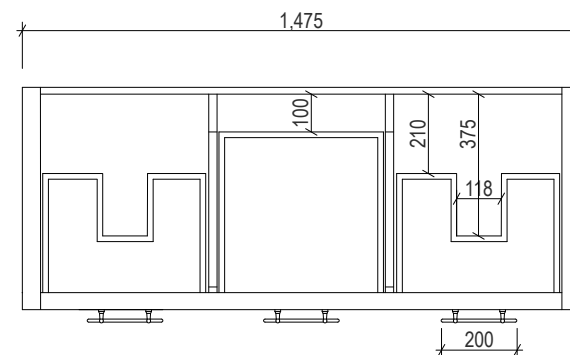
1,500
109 352 578 352 109

180
62
352
600
106



980
100
180
180
236
131

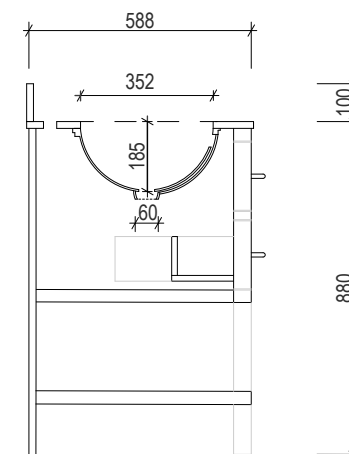
1,500



1,475

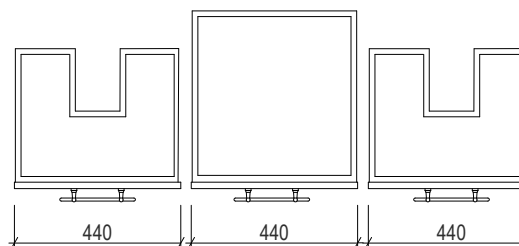
100
210
375
118
200

588



588

352
185
60
880
100



440 440 440

370
450
20



Vanity By Design
ABN: 99 121 837 143

Brisbane Address:
241 Monier Road, Darra QLD 4076 **Phone:**
Brisbane (07) 3376 6055

Email: enquiries@vanitybydesign.com.au
Website: https://www.vanitybydesign.com.au/

Name:	Newberry 1500 Double
Size :	1500 (W) mm x 600 (D) mm x 880 (H) mm
Type:	Freestanding
Cabinet Material:	Solid Sustainable Plantation Timber
Basin Material:	Ceramic under-mount basins with overflow protection
Bench Top Finish:	As advertised
Splashback:	Full width removable splashback
Taphole Options:	1 taphole or 3 tapholes
Vanity Colour Options:	As advertised. Custom Paint Available.

Note:
Mirrors, Wastes and Tapware not included.
Plumbing fixtures must be installed by a qualified plumber (waste not supplied).
Vanity must be installed by a qualified tradesperson.
Failure to do so may void the warranty.
Vanity By Design vanities include a 5 year warranty on cabinets and tapware and 12 month warranty on tops, basins, mirrors, mirror shelves and mirror cabinets.

Caution:
Component may be heavy and require two people to lift.
Do not stand or sit on vanity.