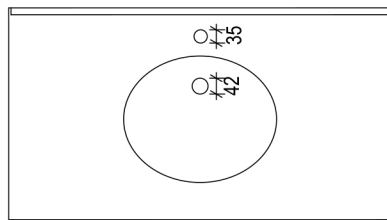


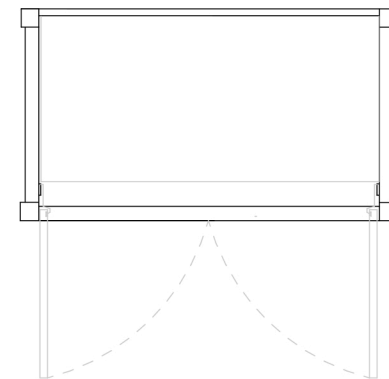
100
855

1015
300 415 300

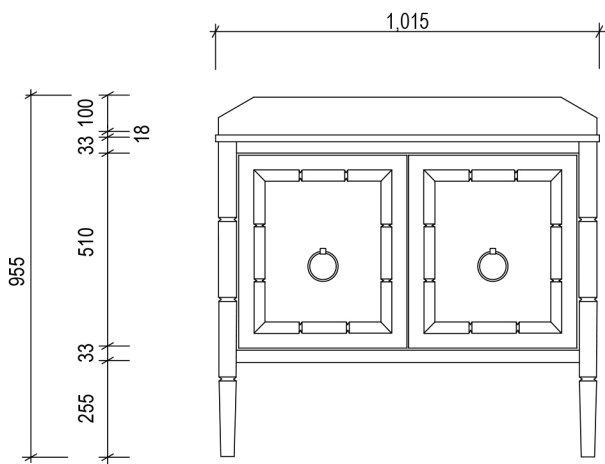


98 335 65 560

995



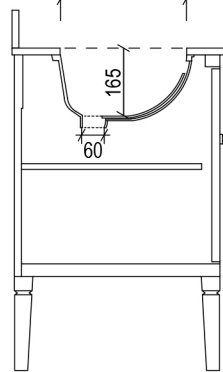
550



955
33 100 18
510
33
255

1,015

560
550
335



100
855

895



505



Vanity By Design

ABN: 99 121 837 143

Brisbane Address:
241 Monier Road, Darra QLD 4076

Phone: Brisbane (07) 3376 6055

Email: enquiries@vanitybydesign.com.au
Website: <https://www.vanitybydesign.com.au/>

Name:	Cleo 1000
Size :	1015 (W) mm x 560 (D) mm x 855 (H) mm
Type:	Freestanding
Cabinet Material:	Solid Sustainable Plantation Timber
Basin Material:	Ceramic under-mount basin with overflow protection
Bench Top Finish:	Carrara white marble
Splashback:	Removable splashback (NOT FULLWIDTH SPLASHBACK)
Taphole Options:	No taphole, 1 taphole or 3 tapholes
Vanity Colour Options:	Black, Navy

Note:

Mirrors, Wastes and Tapware not included.
Plumbing fixtures must be installed by a qualified plumber (waste not supplied).
Vanity must be installed by a qualified tradesperson.
Failure to do so may void the warranty.
Vanity By Design vanities include a 5 year warranty on cabinets and tapware and 12 month warranty on tops, basins, mirrors, mirror shelves and mirror cabinets.

Caution:

Component may be heavy and require two people to lift.
Do not stand or sit on vanity.