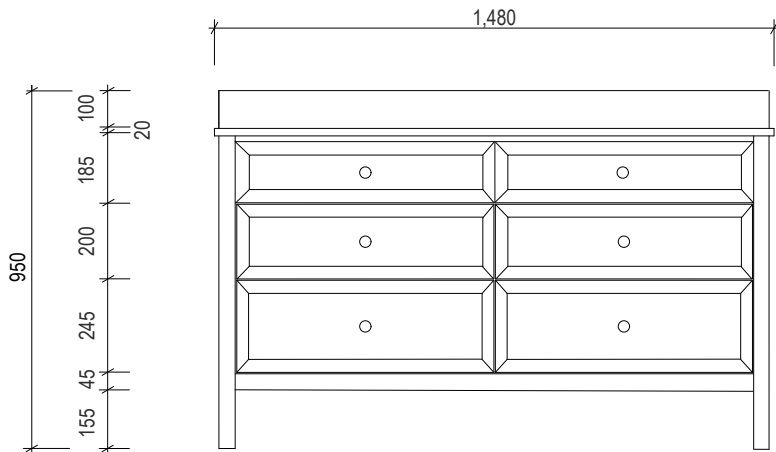
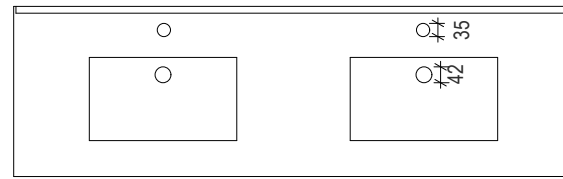


100  
850

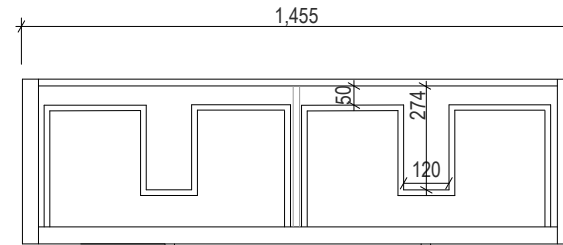


1480  
950  
155 45 245 200 185 100 20

1,480  
200 390 300 390 200

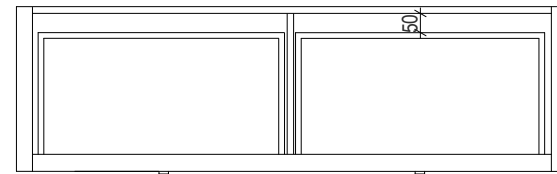


135  
220 450  
95



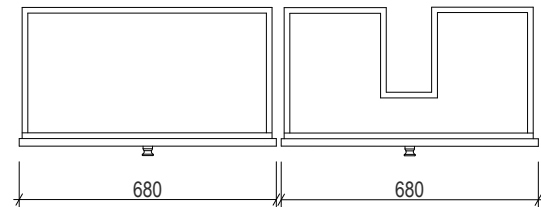
1,455

450  
435  
435



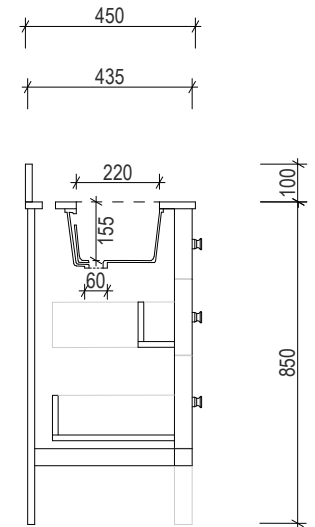
50

435



680 680

350  
20



100  
850



**Vanity By Design**

ABN: 99 121 837 143

**Brisbane Address:**

241 Monier Road, Darra QLD 4076

**Sydney Address:**

10/727 The Horsley Drive, Smithfield NSW 2164

Phone: Brisbane (07) 3376 6055

Sydney (02) 9604 4892

Email: enquiries@vanitybydesign.com.au

Website: https://www.vanitybydesign.com.au/

Name:	Hayley 1500 Double
Size :	1480 (W) mm x 450 (D) mm x 850 (H) mm
Type:	Freestanding
Cabinet Material:	Solid Sustainable Plantation Timber
Basin Material:	Ceramic under-mount or top mount basin
Bench Top Finish:	Smartstone options *
Splashback:	Removable splashback (NOT FULLWIDTH SPLASHBACK)
Taphole Options:	No taphole, 1 taphole or 3 tapholes
Vanity Colour Options:	Black, White, South Hampton Grey

**Note:**

Mirrors, Wastes and Tapware not included.  
Plumbing fixtures must be installed by a qualified plumber (waste not supplied).  
Vanity must be installed by a qualified tradesperson.  
Failure to do so may void the warranty.  
Vanity By Design vanities include a 5 year warranty on cabinets and tapware, 2 year warranty on tops and basins and 12 months warranty on mirrors.

**Caution:**

Component may be heavy and require two people to lift.  
Do not stand or sit on vanity.